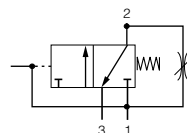


**Combined Soft Start Dump Valve and Remote Operated Dump Valve**



**Symbols**



- Modular design with 1/4" or 1/2" integral ports (BSPP or NPT)
- Provides for the safe introduction of pressure
- The 3-way, 2-position function automatically dumps downstream pressure on the loss of pilot signal
- Adjustable slow start
- Solenoid or air pilot options
- High flow & exhaust capability
- Silencer included

Parker Global Series Combined Soft Start/Dump Valves, provide for the safe introduction of pressure to machines or systems. Soft Start/Dump Valves when set, allow the pressure to gradually build to the set point before fully opening to deliver full flow at line pressure.

The controlled introduction of pressure can be an important safety factor and prevent damage to tooling when air pressure is introduced at machine or system start up.

To maintain these units in the open position a pilot supply to the air pilot operated version or an electrical signal to the solenoid operated version must be maintained. The valve will automatically dump when the holding signal is removed.

**Options:**

<b>P 3</b>		<b>T A</b>									<b>N</b>	<b>Solenoid type only</b>	
Mini (1/4")	1	Mini (1/4")	2	External air pilot	P	None	0	Solenoid / coil not fitted	000				
Compact (1/2")	2	Compact (1/2")	4	Solenoid pilot	S	15mm (P31 series only)	C	24V DC non locking manual override	2CN				
BSPP (G)	1	15mm solenoid (P31 only)	G			30mm CNOMO coil (form connection)	A						
NPT	9	30mm solenoid	C			30mm CNOMO coil (M12 connection)	D						
		Threaded air pilot	P										

**Note:**  
**P32 unit used for both P32 & P33 series**

**Compact combined soft start dump valve**

Port size	Description	Order Code	Flow dm <sup>3</sup> /s (scfm)	Max bar (psi)	Height mm	Width mm	Depth mm	Weight
1/4	Solenoid operated (not included)	<b>P31TA12SGN0000</b>	17 (36)	10 (150)	115.6 (4.5)	57 (2.2)	40 (1.5)	0.37kg (0.8lbs)
1/4	24VDC Solenoid & cable plug	<b>P31TA12SGNC2CN</b>	17 (36)	10 (150)	166* (6.5)	57 (2.2)	40 (1.5)	0.41kg (0.9lbs)
1/4	Air pilot operated	<b>P31TA12PPN</b>	17 (36)	17 (250)	115.6 (4.5)	57 (2.2)	40 (1.5)	0.37kg (0.8lbs)
1/2	Solenoid operated (not included)	<b>P32TA14SCN0000</b>	46 (97)	10 (150)	162.5* (6.3)	88 (3.4)	57.2 (2.2)	0.87kg (1.9lbs)
1/2	24VDC 30mm coil & cable plug incl.	<b>P32TA14SCNA2CN</b>	46 (97)	10 (150)	227.5* (8.9)	88 (3.4)	57.2 (2.2)	0.91kg (2.0lbs)
1/2	Air pilot operated	<b>P32TA14PPN</b>	46 (97)	17 (250)	162.5* (6.3)	75 (2.9)	57.2 (2.2)	0.87kg (1.9lbs)

\* Includes exhaust silencer. Flow with 6.3 bar inlet and 1 bar pressure drop.

**Technical Information**

Fluid:	Compressed air
Max pressure Solenoid operated:	10 bar (150 psi)
Max pressure Air Pilot operated:	17 bar (250 psi)
Min operating pressure:	3 bar (44 psi)
Temperature Solenoid operated:	-10°C (14°F) to 50° C (122° F)
Temperature Air Pilot operated:	-20°C (-4°F) to 80° C (176° F)
Air Pilot port:	1/8"
Exhaust port:	<b>P31</b> - 1/4" / <b>P32</b> - 1/2"

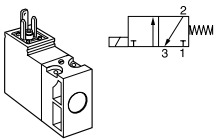
Typical flow with 6.3bar inlet pressure and 1 bar pressure drop:	<b>P31</b>	17 dm <sup>3</sup> /s (36 scfm)
	<b>P32</b>	46 dm <sup>3</sup> /s (97 scfm)

\* Air supply must be dry enough to avoid ice formation at temperatures below +2°C  
Snap pressure: Full flow when downstream pressure reaches 50% of the inlet pressure

**Material Specification**

Body:	Aluminium
Body cover:	Polyester
Seals:	Nitrile NBR

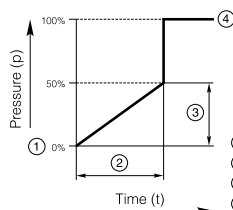
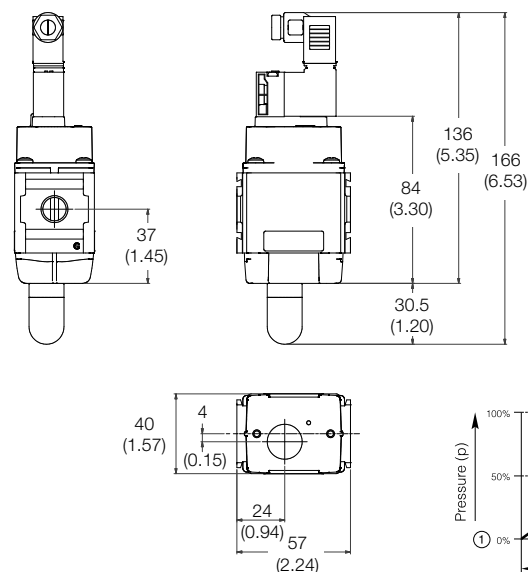
**P31 Series only - Solenoids 15mm NC, standard flow DIN 1.2W / 1.6 VA**

	Voltage	Weight g	Order code Override, blue, non locking flush
	12 VDC	38	<b>P2E-KV32B1</b>
	24 VDC	38	<b>P2E-KV32C1</b>
	48 VDC	38	<b>P2E-KV32D1</b>
	24 VAC 50 Hz	38	<b>P2E-KV31C1</b>
	48 VAC 50/60 Hz	38	<b>P2E-KV34D1</b>
	115 VAC 50 Hz/	38	<b>P2E-KV31F1</b>
	120 VAC 60 Hz		
	230 VAC 50 Hz/	38	<b>P2E-KV31J1</b>
	240 VAC 60 Hz		

For cable plugs (connectors) see page 69.

**Dimensions (mm)**

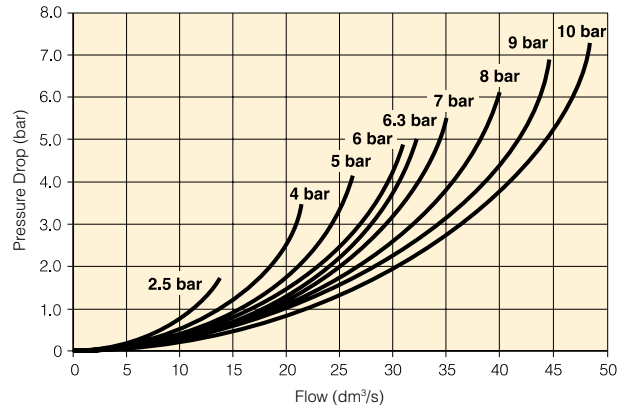
**P31**



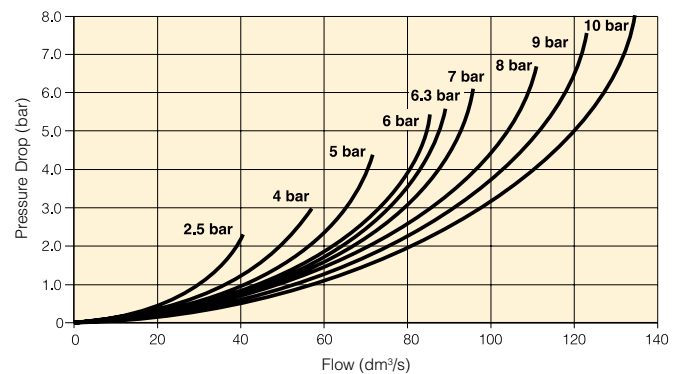
For mounting brackets see page 52

**Flow characteristics**

**1/4 Soft Start & Dump Valve**



**1/2 Soft Start & Dump Valve**



**P32 Series**

For other solenoid operators and cable plugs (connectors) see pages 68 to 69.

**Mounting brackets**

Description	Order code <b>P31</b>
L-Bracket mounting kit	<b>P3HKA00ML</b>
Foot bracket mounting kit	<b>P3HKA00MC</b>

**P32**

